

# SPARE PARTS MANUAL FOR TKF 4SC60 FOUR STRAND CONTINUOUS VERTICAL CONVEYOR



PREPARED BY: T.K.F. INC.  
726 MEHRING WAY  
CINCINNATI, OHIO 45203  
PHONE: (513) 241-5910  
FAX: (513) 651-2792  
WEBSITE: <http://www.tkf.com>



**TKF PROJECT N<sup>o</sup>.** \_\_\_\_\_

**CUSTOMER P.O. N<sup>o</sup>.** \_\_\_\_\_

**DATE PRICING SENT** \_\_\_\_\_

REV 10/04  
60SPLIST 10-04

**INDEX-SPARE PARTS**

<b>INDEX</b>	<b>Page 2</b>
<b>ORDERING INFORMATION</b>	<b>Page 3</b>
<b>FAX COVER SHEET</b>	<b>Page 4</b>
<b>PLATFORM PARTS -</b>	
1) EXPLODED VIEW DRAWING - 4SC60- <b>A</b>	<b>Page 5</b>
2) PLATFORM SPARE PARTS LIST WITH PRICING	<b>Page 6</b>
<b>BASE SECTION -</b>	
1) EXPLODED VIEW DRAWING - 4SC60- <b>B</b>	<b>Page 7</b>
2) BASE SPARE PARTS LIST WITH PRICING	<b>Page 8</b>
<b>DRIVE SECTION -</b>	
1) EXPLODED VIEW DRAWING - 4SC60- <b>C</b>	<b>Page 9</b>
2) DRIVE SPARE PARTS LIST WITH PRICING	<b>Page 10</b>
<b>INFEED/DISCHARGE CONVEYOR ( <i>MOTOR DRIVEN</i> ) -</b>	
1) EXPLODED VIEW DRAWING - 4SC60- <b>DM</b>	<b>Page 11</b>
2) CONVEYOR SPARE PARTS LIST WITH PRICING	<b>Page 12</b>
<b>or</b>	
<b>INFEED/DISCHARGE CONVEYOR ( <i>CLUTCH-BRAKE DRIVEN</i> ) -</b>	
1) EXPLODED VIEW DRAWING - 4SC60- <b>DC</b>	<b>Page 13</b>
2) CONVEYOR SPARE PARTS LIST WITH PRICING	<b>Page 14</b>


# How To Order

1. Determine which parts to have as spares or need to be replaced on your TKF vertical conveyor.
2. Use the following drawings in this manual to help you locate the parts needed and use their item numbers to find the ordering information on the following parts lists.
3. Locate the equipment tag on the electrical panel, base section, or infeed conveyor(s) which was included with the vertical conveyor unit you purchased. See example tag at bottom.
4. Use the **project number** on the equipment tag as the first number when ordering spare parts. This number should be followed by the **mark number** which corresponds to the particular part you need.
5. Contact TKF, Inc. at (513) 241-5910 for placing spare parts orders or use the following fax cover sheet and part lists in this manual to fax requests to (513) 651-2792. On fax requests be sure to fill-in **project number** and quantity of **spares wanted**.

60MM 2002©

## Ordering Example:

For ordering the trail bar item No.1 on Drawing No. 4SC60-A on project No. A999, the ordering code is (A999 -606)

 T.K.F., INC. 726 MEHRING WAY CINCINNATI, OHIO	PROJECT NO . <input type="text"/>
	EQUIPMENT NO . <input type="text"/>
	SERIAL NO . <input type="text"/>

NOTE: The equipment tag is typically riveted to the base section near the control panel.

# MODEL 4SC60 SPARE PARTS FAX REQUEST

TO: SALES DEPARTMENT \_\_\_\_\_

FROM: \_\_\_\_\_

COMPANY: TKF, INC. \_\_\_\_\_

COMPANY: \_\_\_\_\_

FAX # (513) 651-2792 \_\_\_\_\_

NO. OF PAGES, INCLUDING COVER SHEET \_\_\_\_\_

PLEASE FILL - IN THE FOLLOWING INFORMATION:

TKF PROJECT NUMBER: \_\_\_\_\_

YOUR PHONE NUMBER: \_\_\_\_\_

DATE: \_\_\_\_\_



## PARTS LIST

Project No. \_\_\_\_\_

REV 10/04

Item No.	Description - Platform Dwg. # 4SC60-A	Mark No.	No. of spares Recommend	No. of spares Wanted	Unit Price
1	Trail bar	606			
2	Lead bar	607			
3	Standard platform tube (aluminum)	605			
4	Special platform tube (aluminum)	608			
5	Locking block (Delrin)	613			
6	Carrying chain (note: length per job)	7E			
7	Platform chain w/ roller link each end	7A			
8	Platform chain intermediate link	7B			
9	Locking link "A"	602, 6A			
10	Platform chain end link	7C			
11	Locking link "B"	601			
12	Connect link kit - connect link, side plate, & retaining clip	7F	4		
13	Platform attachment block-chain #1,2,3,4	603			
14	Platform switch actuator	612			
15	Bolt & lockwasher (for attachment block)	7H			
16	Bolt, lockwasher, & elastic stop nut(for lead bar & trail bar)	7G			
17	Bolt, lockwasher, & elastic stop nut(for locking blocks)	7J			
18	Bushing for (for locking link "B")	6K			
19	Locking Block (Steel)	604			
1/19	Complete Platform Assy. (less item #6 & 12)	PLTFM	1		

**Note:** To order, specify the **TKF project number** followed by the **mark number**

( i.e.xxxx-606)

---



---

Call T.K.F., Inc. for current pricing at (513) 241-5910 or send fax requests to (513) 651-2792.



**PARTS LIST**

Project No. \_\_\_\_\_

REV 10/04

<b>Item No.</b>	<b>Description - Base Section Dwg. # 4SC60-B</b>	<b>Mark No.</b>	<b>No. of spares Recommend</b>	<b>No. of spares Wanted</b>	<b>Unit Price</b>
1	Idler shaft	902			
2	Stub shaft & sprocket (chain #3 or #4)	905, 9C	2		
3	Stub shaft & sprocket (chain #1 or #2)	904, 9C	2		
4	Take-up shaft	903			
5	Idler shaft bearing 1-7/16"	2A	4		
6	Idler sprocket (chain #3) <i>same as item 11</i>	9A	1		
7	Idler sprocket (chain #1, #2, & #4) <i>same as item 12</i> Bronze Bushed	9F	Set of 3		
8	Idler wheel same as item 13	9L	2		
9	Idler set collar	9E			
10	Stub shaft bearing 1-7/16"	2A			
11	Take-up sprocket (chain #3)	9A			
12	Take-up sprocket (chain #1, #2, & #4)	9F			
13	Take-up wheel	9L			
14	Take-up set collar	9E			
15	Take-up bearing 1-7/16"	2B	2		
16	Take-up frame	2C			
17	Optional sprocket (for infeed/discharge)	11E			
18	Bolt, lockwasher, nut (for take-up frame)	2D			
19	Bolt, lockwasher, & nut	2E			
20	Photocell	E1B w/brkt.	1 each		
21	Reflector	E1D	2		
22	Limit switch w/ (pigtail)	E1A.E1N	1		
23	Photocell cord	E1F			
24	Limit switch cord	E1M			
25	Base wear bar (right or left)	213R/L			
26	Base wear strip (right or left)included w/ 25	212R/L			
27	Platform return wear strip	211			
28	Inside spacer (for idler shaft)	908			
29	Outside spacer (for idler shaft)	913			
30	Inside spacer (for take-up shaft)	908			
31	Outside spacer (for take-up shaft)	914			

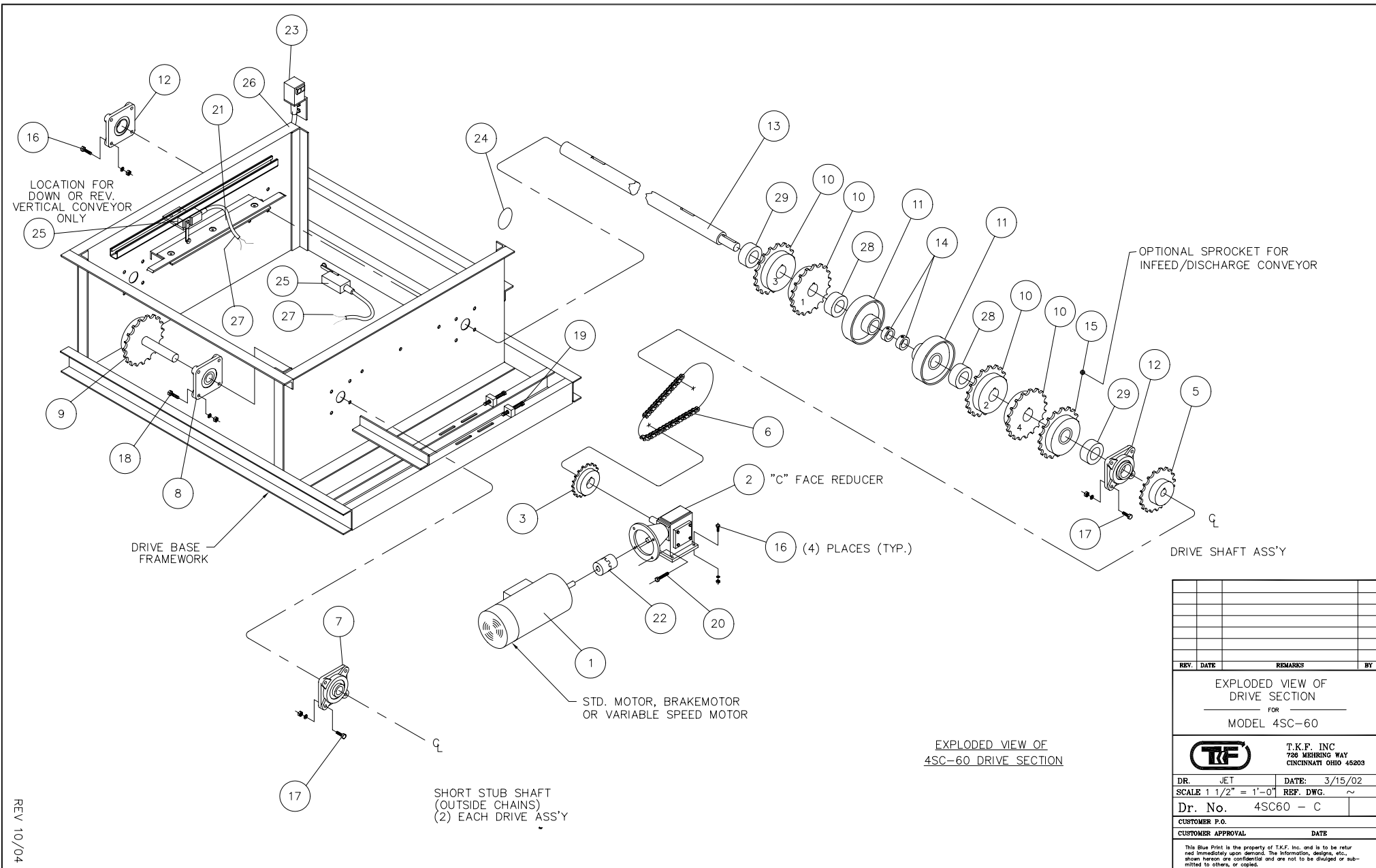
**Note:** To order, specify the **TKF project number** followed by the **mark number**

(i.e. **XXXX - 902**)

---

Call T.K.F., Inc. for current pricing at (513) 241-5910 or send fax requests to (513) 651-2792.





REV.	DATE	REMARKS	BY

EXPLODED VIEW OF  
DRIVE SECTION  
FOR  
MODEL 4SC-60

**T.K.F. INC.**  
726 MEHRING WAY  
CINCINNATI OHIO 45203

DR. JET      DATE: 3/15/02

SCALE 1 1/2" = 1'-0"      REF. DWG. ~

Dr. No. 4SC60 - C

CUSTOMER P.O.      DATE

CUSTOMER APPROVAL      DATE

This Blue Print is the property of T.K.F. Inc. and is to be returned immediately upon demand. The information, designs, etc. shown hereon are confidential and are not to be divulged or submitted to others, or copied.

REV 10/04

**PARTS LIST**

Project No. \_\_\_\_\_

REV 10/04

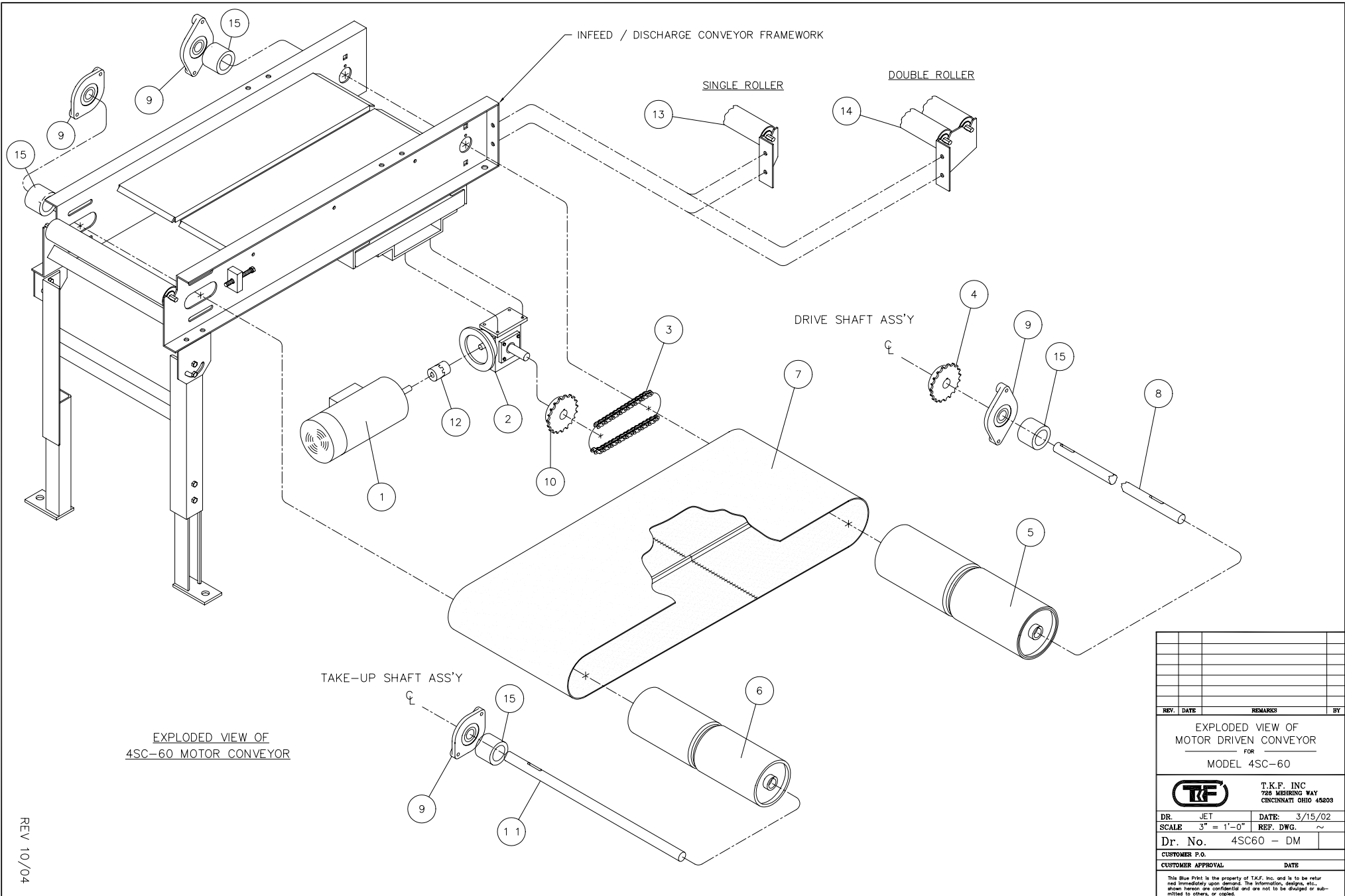
Item No.	Description - Drive Section Dwg. # 4SC60-C	Mark No.	No. of spares	No. of spares	Unit Price
			Recommend	Wanted	
1	Motor _____ HP	5C	1		
2	Reducer - "C" face	5D	1		
3	Reducer sprocket	5F			
5	Vertical conveyor Drive shaft sprocket	5E			
6	Drive chain (note: RC60 x62 Pitches)	5G			
7	Brake (special applications - not shown)	5N			
8	Stub shaft bearing 1-7/16"(same as B2)	5B			
9	Stub shaft & sprocket - chain #3 or #4	905, 9C			
10	Drive sprockets - chains #1,2,3, and 4	9B	1 set of 4		
11	Drive wheels	9M	2		
12	Drive bearing 2-3/16"	5A	2		
13	Drive shaft	901			
14	Drive set collar	9D			
15	Optional sprocket (for infeed/discharge)	11E			
16	Bolt, lockwasher, & nut (for reducer)	5J			
17	Bolt, lockwasher, & nut (for drive brg.)	5M			
18	Bolt, lockwasher, nut (for stub shaft brg.)	5H			
19	Jack bolt	5L			
20	Bolt, lockwasher, nut (for mtr. coupling)	5P			
21	Wear bars (this part is left or rt. handed)	801	1 set		
22	Flex coupling	5Q			
23	Photocell (same as B20)	E1B	1 Each		
24	Reflector (same as B21)	E1D	2		
25	Limit Switch with pigtail	E1A, E1N			
26	Photocell cord (same as B23) 12'	E1F			
27	Limit Switch cord	E1M			
28	Inside spacer (for drive shaft)	907			
29	Outside spacer (for drive shaft)	912			

**Note:** To order, specify the **TKF project number** followed by the **mark number**

( i.e. **XXXX - 5C** )

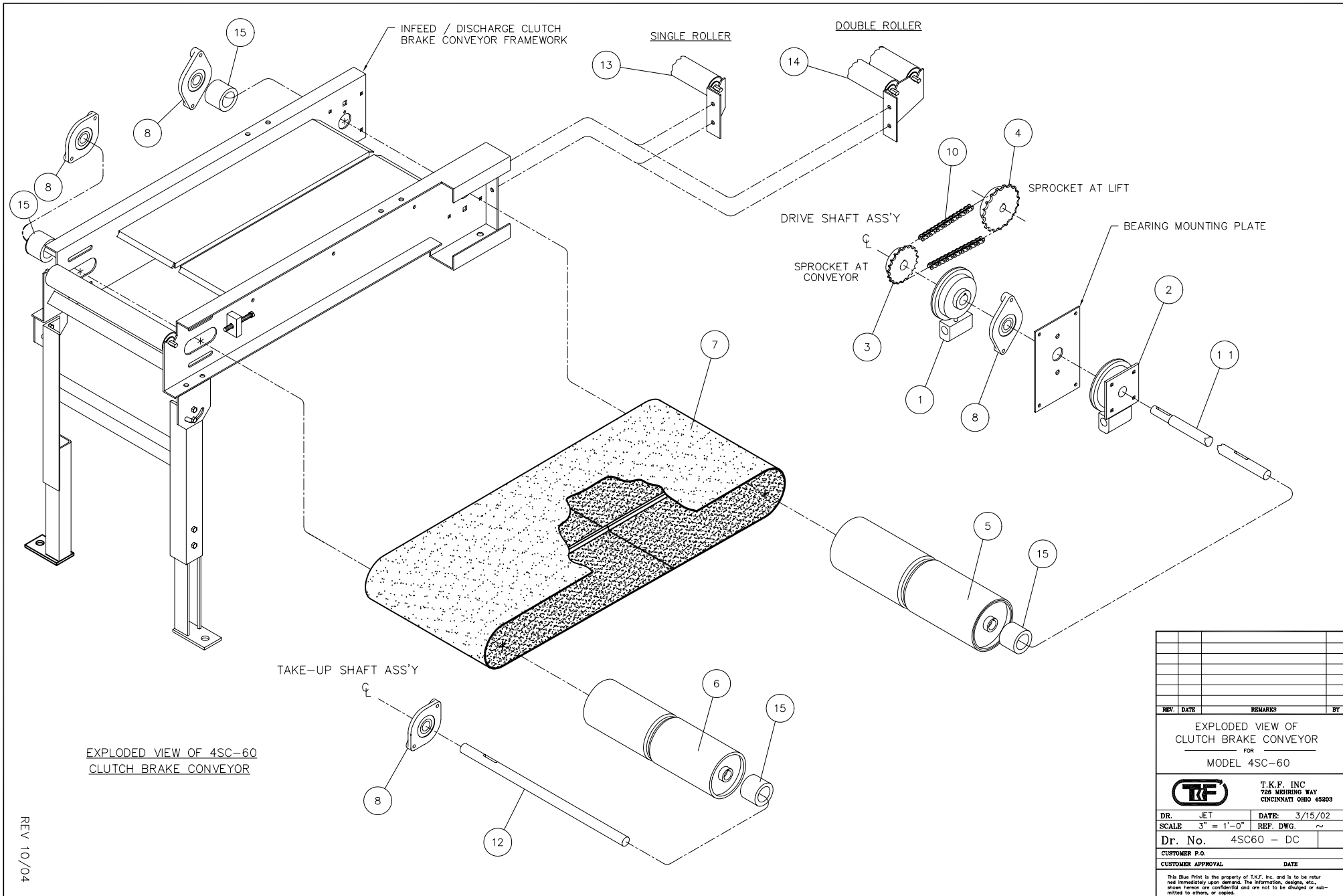
---

Call T.K.F., Inc. for current pricing at (513) 241-5910 or send fax requests to (513) 651-2792.



REV 10/04





REV.	DATE	REMARKS	BY
EXPLODED VIEW OF CLUTCH BRAKE CONVEYOR FOR MODEL 4SC-60			
<b>TKF</b>		T.K.F. INC. 726 MEHRING WAY CINCINNATI OHIO 45203	
DR.	J.E.T.	DATE:	3/15/02
SCALE	3" = 1'-0"	REP. DWG.	
Dr. No.	4SC60 - DC		
CUSTOMER P.O.			
CUSTOMER APPROVAL	DATE		
<small>This Blue Print is the property of T.K.F. Inc. and is to be returned immediately upon demand. The information, designs, etc., shown herein are confidential and are not to be divulged or submitted to others, or copied.</small>			

REV 10/04

